

TECHNICAL DATA

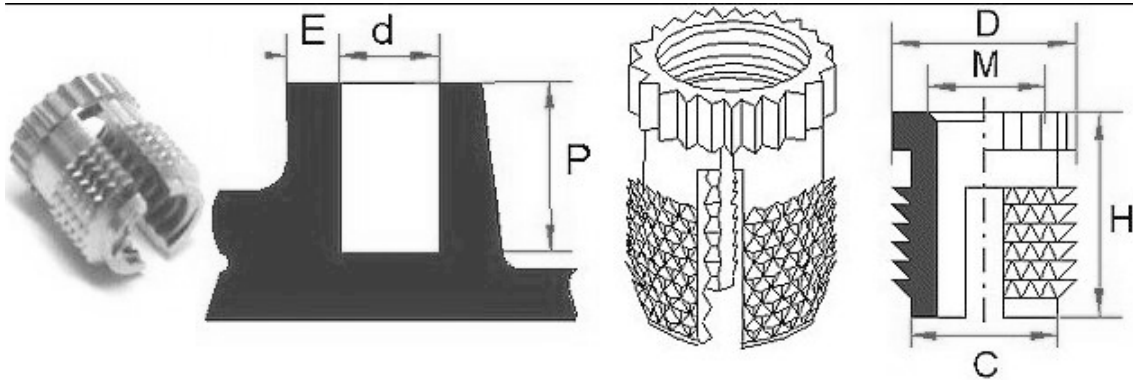
THIS DOCUMENT IS NOT CONTRACTUAL

SERPLAST TR TYPE

40/TR

61 avenue de l'Europe - 78140 Vélizy-Villacoublay - Tel : 00 33 (0)1 78 74 32 00 - Fax : 00 33 (0)1 78 74 32 01

INSERTS FOR THERMOPLASTICS
 INSTALLATION
 BY EXPANSION
 Self-braked effect



Metric thread	Part ref.	Length H	external Ø D	Ø C	hole Ø	Hole depth P	E
M2	40/TR020H040	4,0	4,0	3,4	3,5	5,5	1,8
M2,5	40/TR025H040	4,0	4,5	3,9	4,0	5,5	2,0
M2,5	40/TR025H065	6,5	4,5	3,9	4,0	8,0	2,0
M3	40/TR030H050	5,0	4,5	3,9	4,0	6,5	2,0
M3	40/TR030H065	6,5	4,5	3,9	4,0	8,0	2,0
M3,5	40/TR035H050	5,0	5,5	4,9	5,0	6,8	2,5
M3,5	40/TR035H080	8,0	5,5	4,9	5,0	9,8	2,5
M4	40/TR040H080	8,0	6,0	4,9	5,5	9,8	2,8
M4	40/TR040H095	9,5	6,0	4,9	5,5	11,3	2,8
M5	40/TR050H095	9,5	7,0	5,9	6,5	11,3	3,3
M5	40/TR050H110	11,0	7,0	5,9	6,5	13,0	3,3
M6	40/TR060H095	9,5	8,5	7,0	8,0	11,3	4,0
M6	40/TR060H125	12,5	8,5	7,0	8,0	14,5	4,0
M8	40/TR080H100	10,0	10,0	9,0	9,5	12,0	4,8
M10	40/TR100H130	13,0	12,0	11,0	11,5	15,0	5,8