

TECHNICAL DATA

THIS DOCUMENT IS NOT CONTRACTUAL

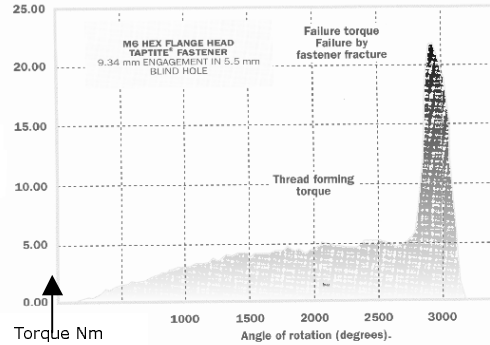
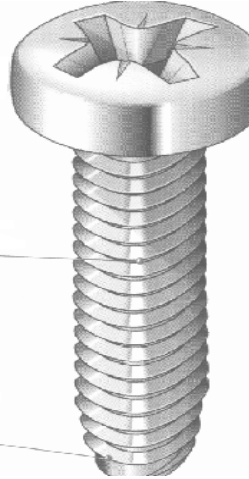
TRILOCK SCREW

33/B
TRILOK

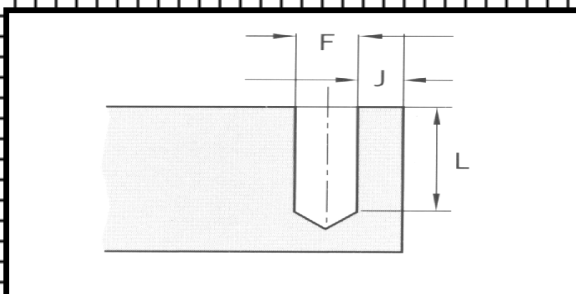
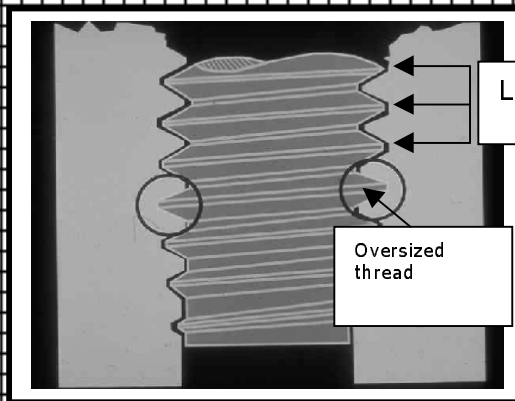
6 rue Nationale 92100 BOULOGNE-BILLANCOURT Tél : 01 46 21 05 32 Fax : 01 46 21 00 76

Trilobular form of the threads guarantees a perfect union between the screw and the created nut.

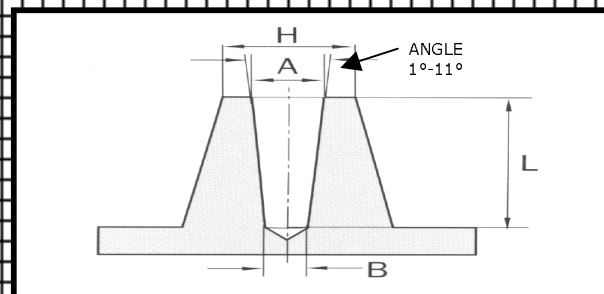
The point with double-angle permits an easy installation of the screw and ensures a formation of thread with a low tightening torque



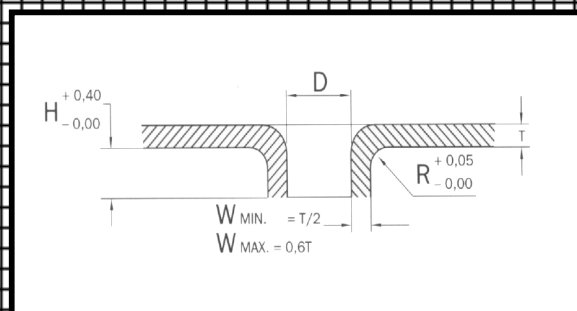
**Small torque of tapping
High ruine torque**



DRILLED HOLES



HOLES MOULDED IN ALLOYS



HOLES BORDERED WITH STEEL