

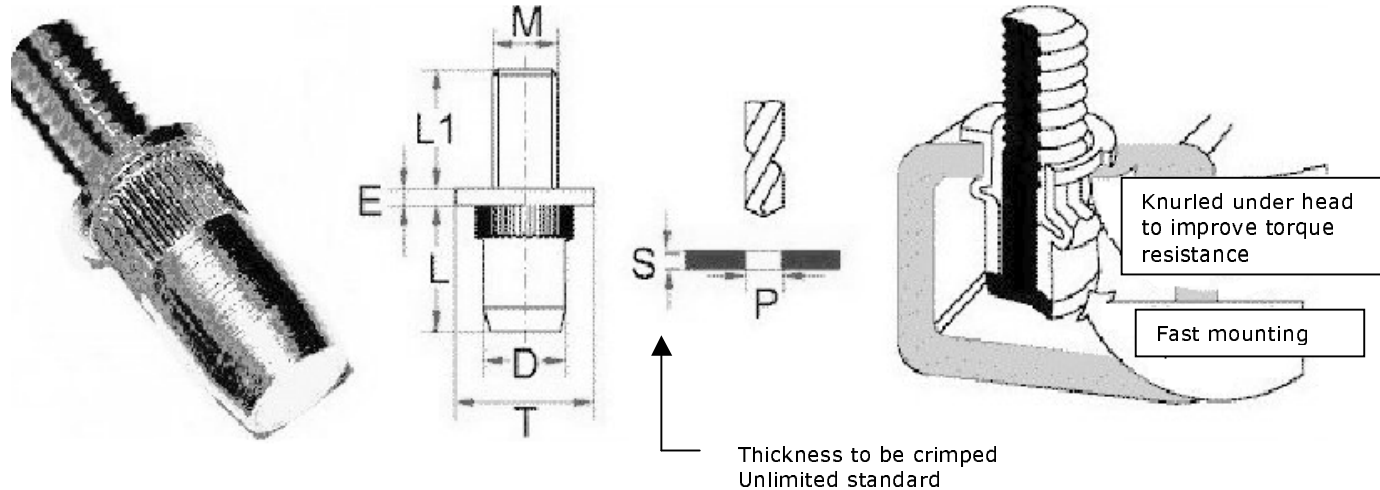
TECHNICAL DATA

THIS DOCUMENT IS NOT CONTRACTUAL

SERBLOC STUD

31/GTP

61 avenue de l'Europe - 78140 Vélizy-Villacoublay - Tel : 00 33 (0)1 78 74 32 00 - Fax : 00 33 (0)1 78 74 32 01



Metric thread	Part n° STEEL	Part n° SS	Grip range S	Body Ø D	Head dim E	Head Ø T	Length L	Hole size P	Stud L1
M4	G4TP15 (L1)	G4TP15 (L1)X	0,5-1,5	6,0	1,0	8	15,0	6,1	10,0
M4	G4TP30 (L1)	G4TP30 (L1)X	1,5-3,0	6,0	1,0	8	16,5	6,1	12,0
M4	G4TP40 (L1)	G4TP40 (L1)X	3,0-4,0	6,0	1,0	8	18,0	6,1	15,0
M5	G5TP15 (L1)	G5TP15 (L1)X	0,5-1,5	7,0	1,0	9	17,0	7,1	10,0
M5	G5TP30 (L1)	G5TP30 (L1)X	1,5-3,0	7,0	1,0	9	18,5	7,1	12,0
M5	G5TP45 (L1)	G5TP45 (L1)X	3,0-4,5	7,0	1,0	9	20,0	7,1	15,0
M6	G6TP20 (L1)	G6TP20 (L1)X	1,0-2,0	9,0	1,0	11	20,0	9,1	10,0
M6	G6TP35 (L1)	G6TP35 (L1)X	2,0-3,5	9,0	1,0	11	21,5	9,1	15,0
M6	G6TP50 (L1)	G6TP50 (L1)X	3,5-5,0	9,0	1,0	11	23,0	9,1	15,0
M8	G8TP25 (L1)	G8TP25 (L1)X	1,0-2,5	11,0	1,5	14	21,0	11,1	10,0
M8	G8TP40 (L1)	G8TP40 (L1)X	2,5-4,0	11,0	1,5	14	22,5	11,1	15,0
M8	G8TP55 (L1)	G8TP55 (L1)X	4,0-5,5	11,0	1,5	14	24,0	11,1	20,0